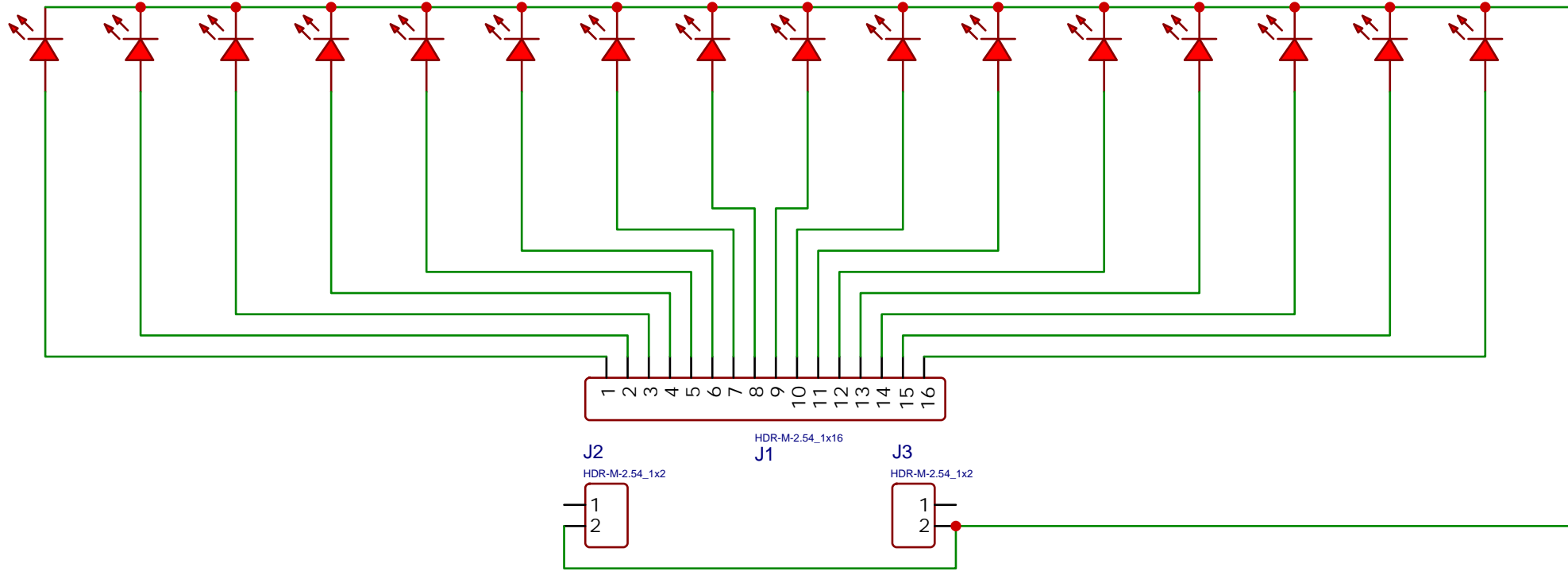


LED0 LED1 LED2 LED3 LED4 LED5 LED6 LED7 LED8 LED9 LED10 LED11 LED12 LED13 LED14 LED15
 LED-TH-3mm_R LED-TH-3mm_R LED-TH-3mm_R LED-TH-3mm_R LED-TH-3mm_R LED-TH-3mm_R LED-TH-3mm_R LED-TH-3mm_R LED-TH-3mm_R LED-TH-3mm_R LED-TH-3mm_R LED-TH-3mm_R LED-TH-3mm_R LED-TH-3mm_R LED-TH-3mm_R LED-TH-3mm_R



TITLE: multiplexer_16_leds		REV: 1.0
嘉立创EDA	Company: Ethical Diy	Sheet: 1/1
	Date: 2023-06-10	Drawn By: Riccardo Grosso